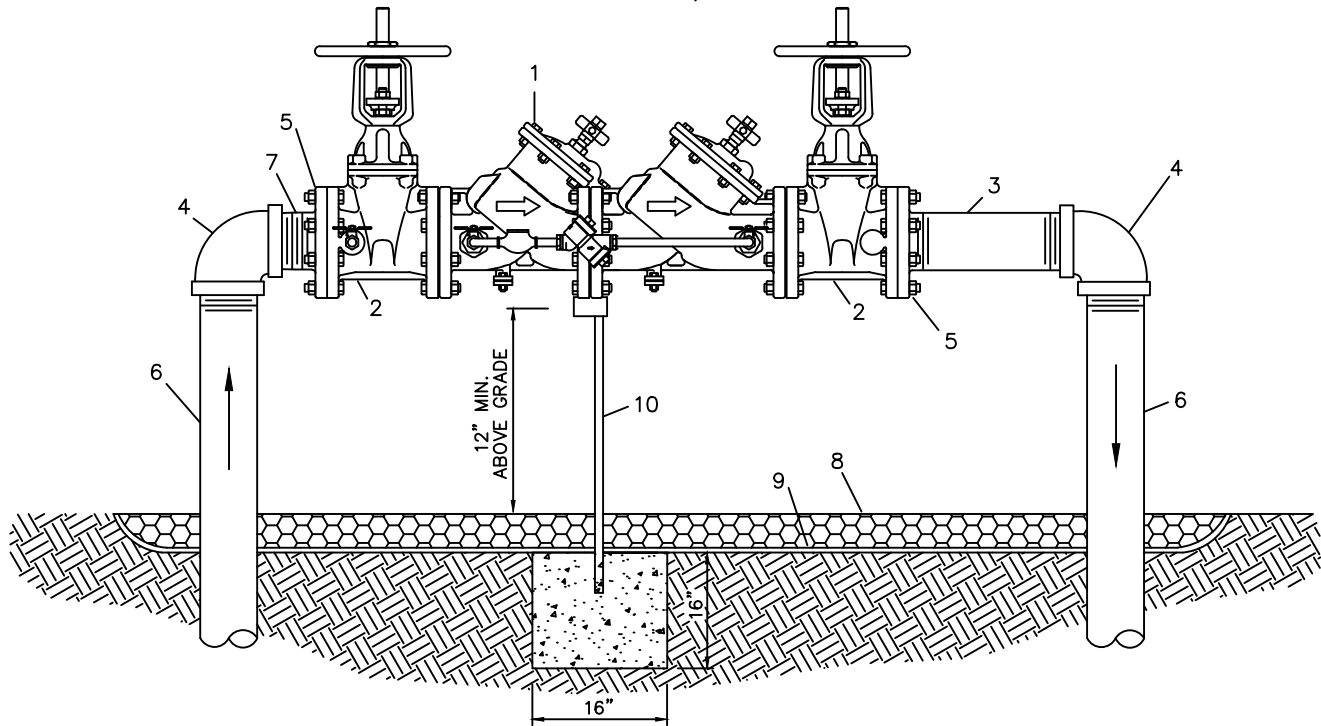


ACCEPTABLE MANUFACTURERS: WILKINS MODEL 350ADA,  
 WATTS MODEL 757 DCDA OS&Y, AME'S COLT 300 (OS&Y),  
 WATTS MODEL 709 DCDA, APOLLO MODEL DCDALF4A



M A T E R I A L S		
ITEM	QUANT.	DESCRIPTION
1	1	4", 6", 8", 10" VALVE, DOUBLE CHECK BACKFLOW PREVENTER
2	2	4", 6", 8", 10" VALVE, GATE, C.I., F-F
3	1	4", 6", 8", 10" NIPPLE, PVC., BRASS, OR D.I., (12" LONG) (OPT.)
4	2	4", 6", 8", 10" ELBOW, PVC., BRASS, OR D.I., - 90°
5	2	4", 6", 8", 10" FLANGE, STEEL PIPE, SCREW-TYPE
6	2	4", 6", 8", 10" PIPE, PVC., BRASS, OR D.I. (42" LONG)
7	1	4", 6", 8", 10" NIPPLE, PVC., BRASS, OR D.I. (6" LONG)
8	*	PEA GRAVEL
9	*	PLASTIC LINER
10	1	PIPE SUPPORT / CONCRETE FOUNDATION

- NOTE: -FIELD ADJUST AND CUT ITEM 6 TO THE PROPER LENGTH.  
 -NO GALVANIZED FITTINGS OR PIPE ALLOWED.  
 -A COPY OF THE ASSEMBLY CERTIFICATION SHALL BE SUBMITTED TO THE CITY'S ENGINEERING DEPARTMENT BEFORE FINAL INSPECTION.  
 -ASSEMBLY SHOULD HAVE ADEQUATE LANDSCAPING AROUND IT TO OBSCURE VIEW.  
 -ASSEMBLY SHALL BE PAINTED FOREST GREEN.  
 -WILKINS ASSEMBLIES ARE REQUIRED FOR CITY OWNED FACILITIES



STANDARD CONSTRUCTION DETAIL  
 DOUBLE CHECK DETECTOR BACKFLOW PREVENTER  
 (DEDICATED FIRE LINE) 2 1/2" - 10"  
 NTS

INDEX

W-6E

DEC 2016