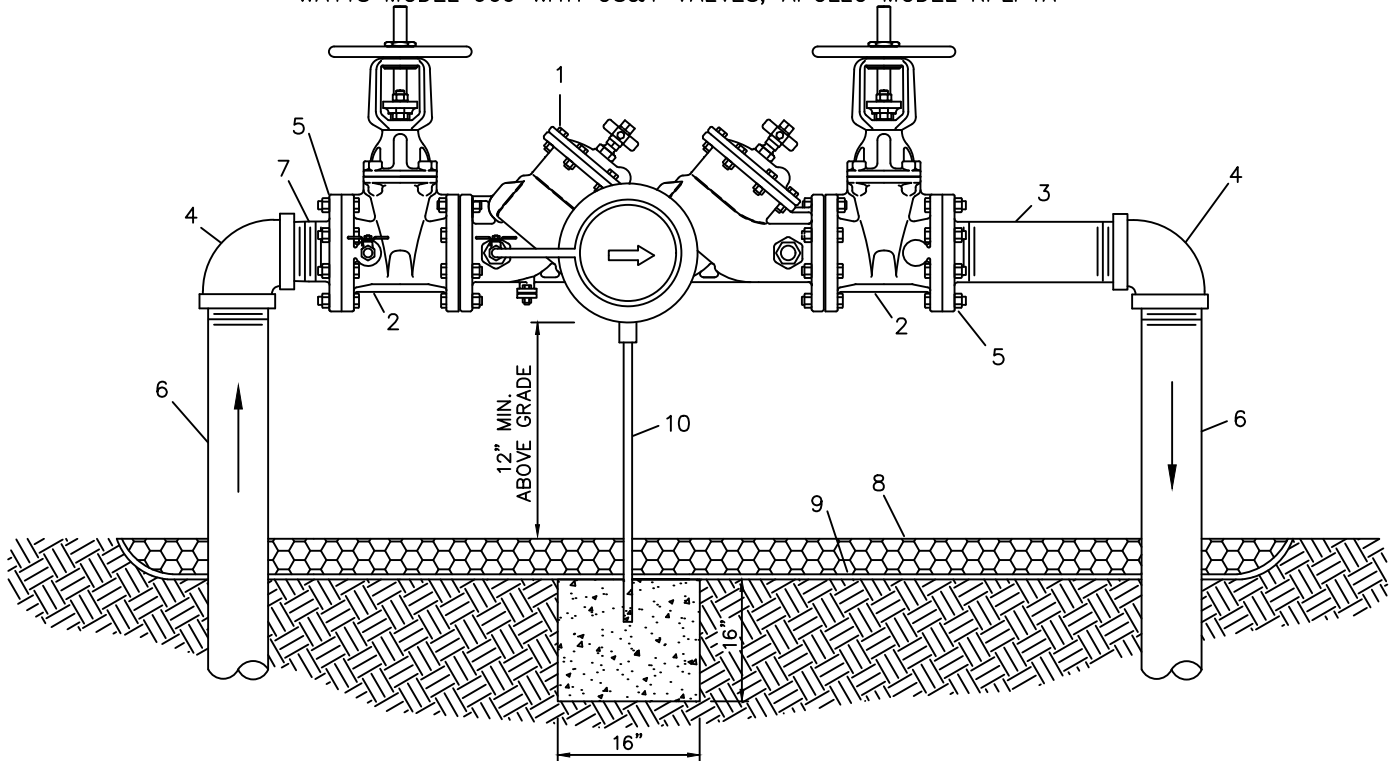


ACCEPTABLE MANUFACTURERS: HERSEY MODEL 6CM, WILKINS MODEL 375,
WATTS MODEL 909 WITH OS&Y VALVES, APOLLO MODEL RPLF4A



M A T E R I A L S		
ITEM	QUANT.	DESCRIPTION
1	1	3", 4" VALVE, REDUCED PRESSURE BACKFLOW PREVENTER
2	2	3", 4" VALVE, GATE, C.I., F-F
3	1	3", 4" NIPPLE, PVC., D.I., BRASS, OR COPPER (12" LONG) (OPT.)
4	2	3", 4" ELBOW, PVC., D.I., BRASS, OR COPPER - 90°
5	2	3", 4" FLANGE
6	2	3", 4" PIPE, PVC, D.I., BRASS OR COPPER (42" LONG)
7	1	3", 4" NIPPLE, PVC., D.I., BRASS OR COPPER (6" LONG)
8	*	PEA GRAVEL
9	*	PLASTIC LINER
10	1	PIPE SUPPORT / CONCRETE FOUNDATION

- NOTE: -FIELD ADJUST AND CUT ITEM 3 TO THE PROPER LENGTH.
 -ASSEMBLY SHALL BE PAINTED FOREST GREEN.
 -A COPY OF THE ASSEMBLY CERTIFICATION SHALL BE SUBMITTED TO THE CITY'S ENGINEERING DEPARTMENT BEFORE FINAL INSPECTION
 -ASSEMBLY SHOULD HAVE ADEQUATE LANDSCAPING AROUND IT TO OBSCURE VIEW.
 -WILKINS ASSEMBLIES ARE REQUIRED FOR CITY OWNED FACILITIES

C-900 OR D.I. PIPE AND FITTINGS SHALL BE RESTRAINED. COPPER PIPE AND FITTINGS SHALL BE SWEATED. BRASS PIPE AND FITTINGS SHALL BE THREADED. NO GALVANIZED PIPE OR FITTINGS ALLOWED.



STANDARD CONSTRUCTION DETAIL
REDUCED PRESSURE BACKFLOW PREVENTER
(POTABLE WATER) 3" OR 4"

NTS

INDEX

W-6B

DEC 2016