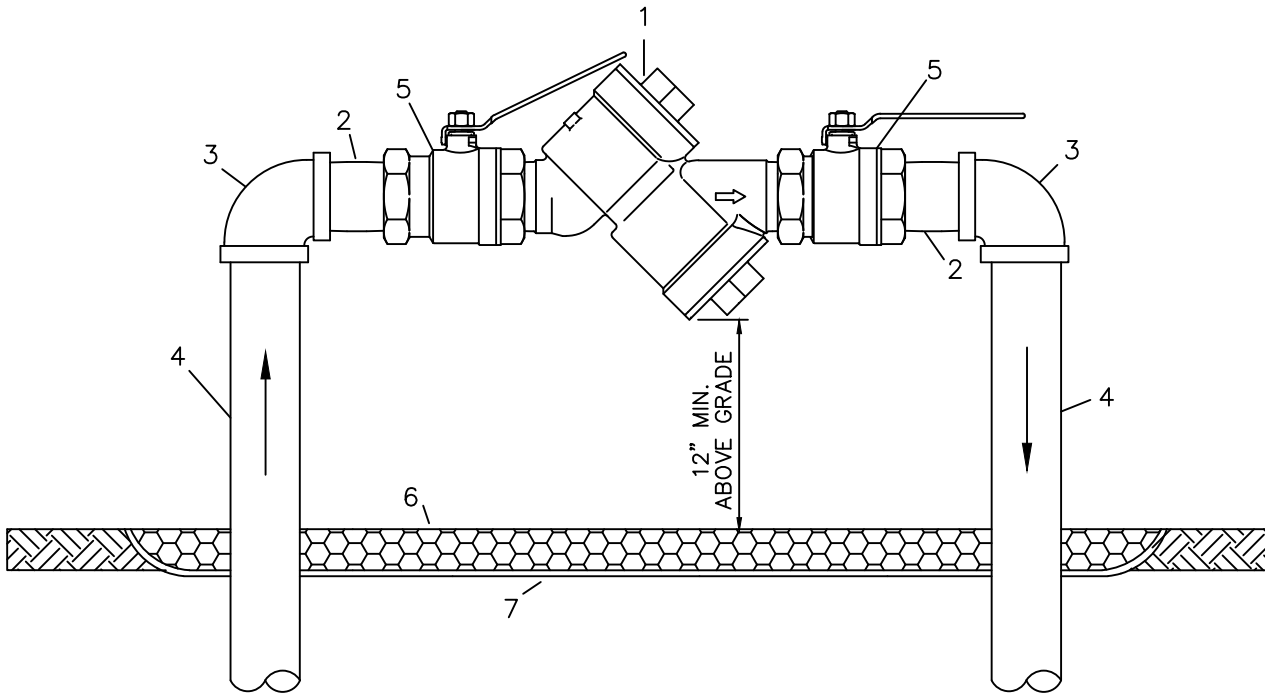


ACCEPTABLE MANUFACTURERS: HERSEY MODEL FRP II, WILKINS MODEL 950XL,
WATTS MODEL 007M1 DCDA, APOLLO MODEL DCLF4A



M A T E R I A L S		
ITEM	QUANT.	DESCRIPTION
1	1	3/4", 1", 1-1/2" OR 2" BACKFLOW PREVENTER ASSEMBLY
2	2	3/4", 1", 1-1/2" OR 2" x NOM. NIPPLES - BRASS
3	2	3/4", 1", 1-1/2" OR 2" x 90° ELBOWS - PVC, BRASS OR COPPER
4	2	3/4", 1", 1-1/2" OR 2" x VARIES RISER - PVC, BRASS OR COPPER
5	2	3/4", 1", 1-1/2" OR 2" BALL VALVE
6	*	PEA GRAVEL
7	*	PLASTIC LINER

- NOTE: -FIELD ADJUST AND CUT ITEM 4 TO THE PROPER LENGTH.
 -NO GALVANIZED PIPE OR FITTINGS ALLOWED.
 -A COPY OF THE ASSEMBLY CERTIFICATION SHALL BE SUBMITTED TO THE CITY'S ENGINEERING DEPARTMENT BEFORE FINAL INSPECTION
 -ASSEMBLY SHOULD HAVE ADEQUATE LANDSCAPING AROUND IT TO OBSCURE VIEW.
 -ASSEMBLY SHALL BE PAINTED FOREST GREEN
 -WILKINS ASSEMBLIES ARE REQUIRED FOR CITY OWNED FACILITIES



STANDARD CONSTRUCTION DETAIL
DOUBLE CHECK BACKFLOW PREVENTER
(FIRE LINE)

3/4", 1", 1-1/2", OR 2"
NTS.

INDEX

W-6A

DEC 2016