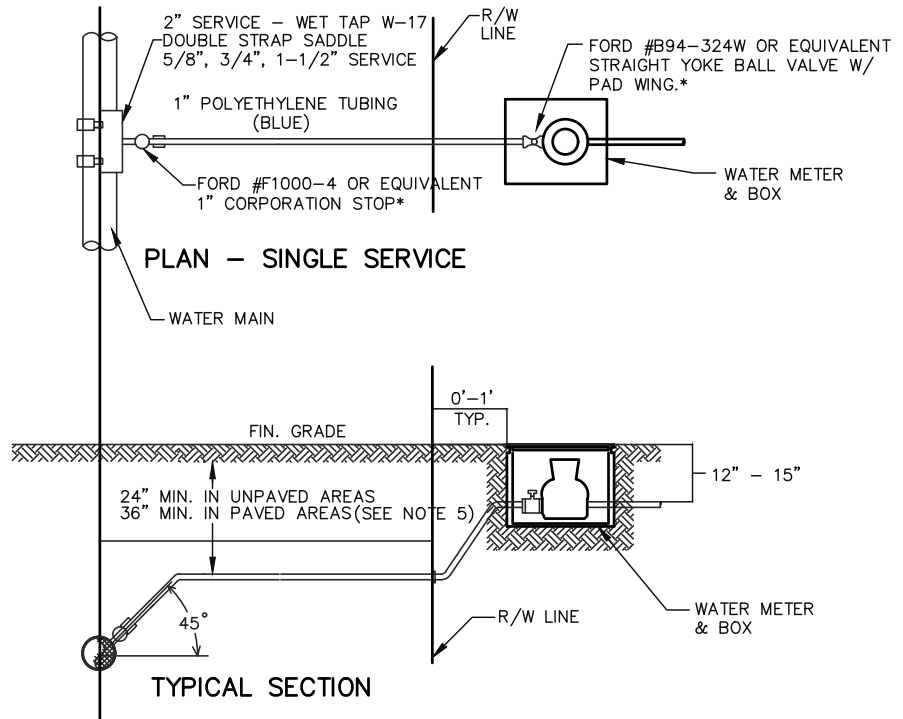


VALVE SCHEDULE	
FORD OR EQUIVALENT	
WATER SERVICES	
VALVES AT MAIN	
1"	F1000-4
1 1/2"	B81-666-NL (REQ. C84-66 PACK JOINT COUPLING)
2"	B81-777-NL (REQ. C84-77 PACK JOINT COUPLING)
VALVES AT METER	
1"	B94-324W-NL
1 1/2"-2"	BF43-777W-NL



NOTES:

1. CUSTOMER POINT OF SERVICE IS TYPICALLY AT THE LOCATION WHERE CUSTOMER PLUMBING IS ATTACHED TO THE YOKE NUT.
2. HDPE SHALL BE 200 PSI, NSF APPROVED, SDR 9, MEETING ASTM D1248. TUBING SHALL BE ENDOT ENDOTRACE (OR APPROVED EQUAL).
3. REDUCED PRESSURE BACKFLOW PREVENTERS ARE REQUIRED FOR ALL COMMERCIAL SERVICES AND SHALL BE INSTALLED BY A CERTIFIED TECHNICIAN AT OWNERS EXPENSE
4. ALL SERVICE TAPS SHALL BE NO CLOSER THAN 2'-0" STAGGERED INTERVAL OR WITHIN 2'-0" OF BELL OR SPIGOT ENDS.
5. IN AREAS TO BE PAVED PROVIDE A 2" MIN. PVC SCHEDULE 40 CASING FOR PE-TUBING. CASING SHALL EXTEND A MIN. OF 2' BEHIND BACK OF CURB AT EACH SIDE OF ROAD. 2" CASING FOR 1". 4" CASING FOR 2".
6. ALL IRRIGATION SERVICES (WATER) MUST HAVE AN APPROVED BACKFLOW PREVENTION DEVICE INSTALLED ON CUSTOMERS SIDE OF WATER METER. SEE W-6D FOR COMMERCIAL PROPERTIES OR SEE W-6F FOR RESIDENTIAL PROPERTIES. THE CITY WILL INSTALL ALL CITY-OWNED IRRIGATION BACKFLOW PREVENTERS. THE CUSTOMER IS RESPONSIBLE FOR INSTALLATION AND CERTIFICATION COST. A COPY OF THE CERTIFICATION MUST BE SENT TO THE CITY OF ORMOND BEACH ENGINEERING DEPARTMENT, PRIOR TO FINAL INSPECTION.
7. WATER METERS INSTALLED IN AREAS SERVED BY RECLAIMED WATER SHALL BE EQUIPPED WITH A DUAL CHECK BACKFLOW PREVENTER.
8. WATER METERS IN AREA SERVED WITH AN ALTERNATE IRRIGATION SUPPLY SHALL BE EQUIPPED WITH BACKFLOW PREVENTION TO BE APPROVED FOR USE BY FDEP.



STANDARD CONSTRUCTION DETAIL

WATER LATERAL SERVICE 5/8", 3/4", 1", 1-1/2", 2" METERS

NTS

INDEX

W-3

MAR 2021