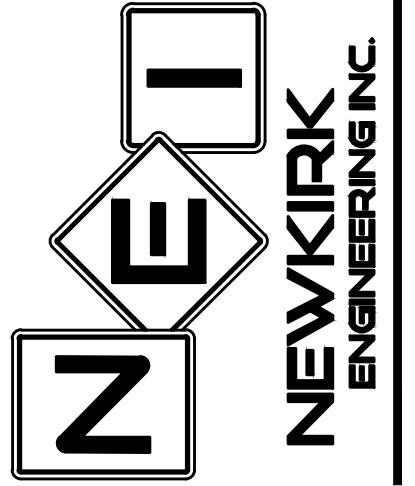


Luminaire Schedule					
Qty	Symbol	Label	Tilt	Arrangement	LLF
7	⊙	ML740-CA-104L45T3R-F-MD_03	15°	SINGLE	1.000
13	⊗	ML740-CA-136L45T2-F-MD_05	15°	SINGLE	1.000

Calculation Summary				
Label	Units	Avg	Max	Min
BOUNDARY	Fc	0.12	1.7	0.0
SITE	Fc	0.31	5.7	0.0

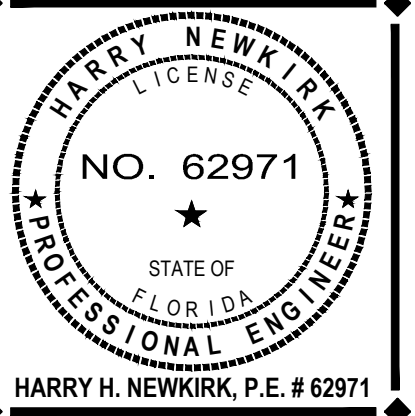
REVISIONS	
DATE	DESCRIPTION
9/9/20	CITY COMMENTS

1230 North US1, Suite 3  
Ormond Beach, Florida 32174  
Phone (386) 872-7794  
www.newkirk-engineering.com  
C.A. # 30209  
L.C. # 26000584  
C 2013  
Civil Engineering,  
Transportation, CEI &  
Landscape Architecture

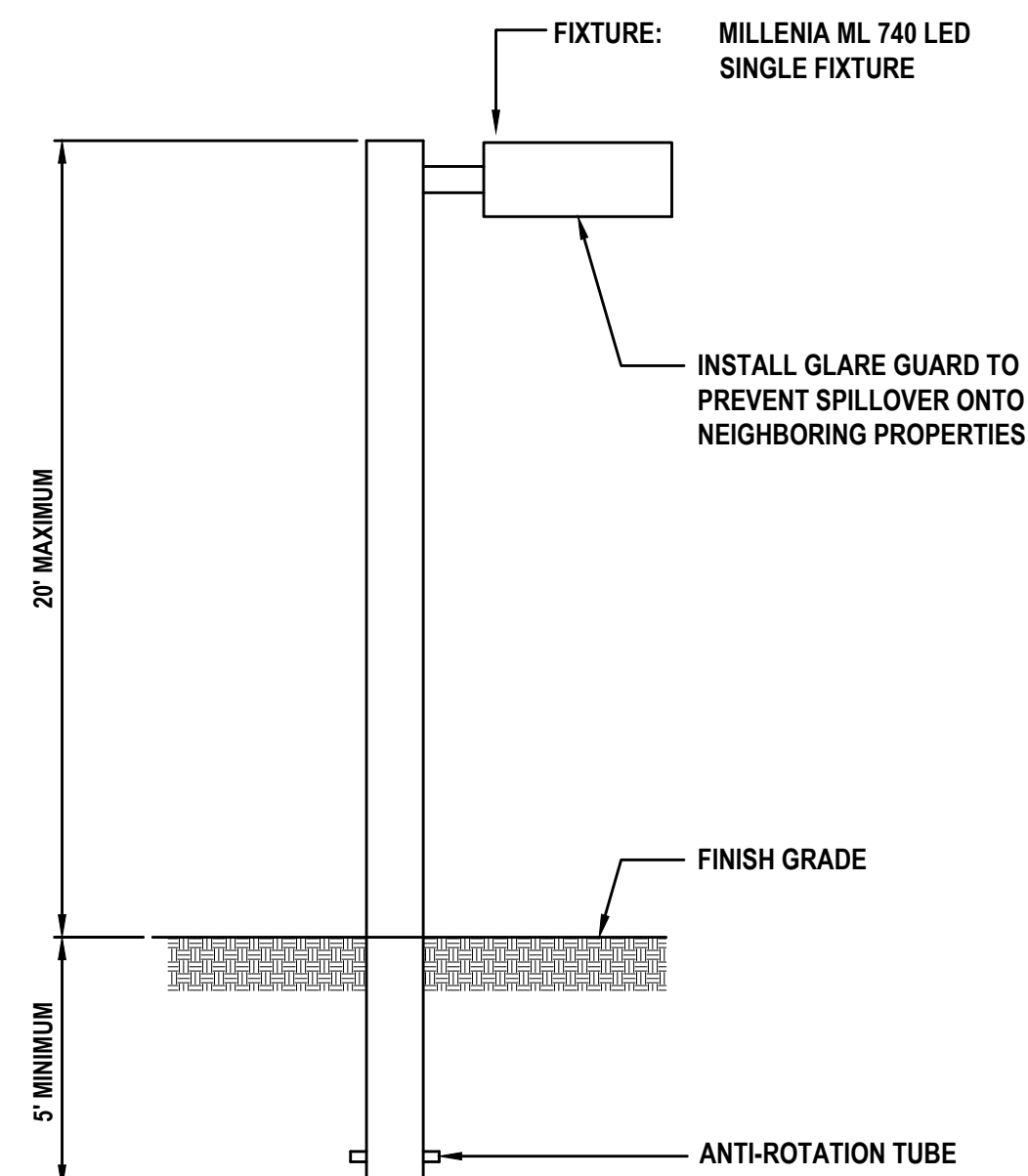


**PHOTOMETRIC PLAN**  
**TIMBER CREEK APARTMENTS**  
2011 W GRANADA BOULEVARD  
ORMOND BEACH, FL 32174

THIS DRAWING IS THE PROPERTY OF NEWKIRK ENGINEERING ANY USE OR REPRODUCTION IN WHOLE OR PART IS PROHIBITED WITHOUT THE EXPRESSED WRITTEN CONSENT OF NEWKIRK ENGINEERING COPYRIGHT 2013 ALL RIGHTS RESERVED



PROJECT No:	2020-06
DATE:	JUNE 2020
DESIGN BY:	HHN
DRAWN BY:	NWS
CHECKED BY:	HHN
SCALE:	1" = 40'
DRAWING NUMBER	59



POLE TYPE: 5" X 5" STRAIGHT SQUARE DIRECT BURIAL LIGHT POLE  
STRENSBERG LIGHTING - URBANLINE  
POLE HEIGHT: 20' MAXIMUM HEIGHT WITH 5' MINIMUM BURIAL  
FINISH: SMOOTH BLACK OR SATIN ALUMINUM  
MATERIAL: ALUMINUM

- CONTRACTOR MUST OBTAIN CITY OF ORMOND BEACH BUILDING PERMIT FOR LIGHT POLES. CONTRACTOR SHALL BE RESPONSIBLE FOR SUBMITTING APPROPRIATE INFORMATION (ENGINEERING, SPECIFICATIONS, ETC.) FOR LIGHT FIXTURES AT TIME OF PERMIT REVIEW.
- DESIGNED TO HANDLE A MINIMUM 140 MPH WIND SPEED, EXPOSURE B.
- MAKE THE HOLE. GENERALLY HOLES SHALL BE ROUNDED WITH SMOOTH VERTICAL SIDES CONSISTING OF UNDISTURBED SOIL FOR BEST COMPACTION AND STABILITY OF POLES. DIAMETER OF POLE SHALL BE ABOUT TWICE THE DIAMETER OF THE POLE AT ITS BASE. HOLES SHALL BE AUGURED.
- WIRE THE POLE UTILIZING APPROVED METHODS.
- INSTALL THE POLE, IN MANY CASES COMPOSITE POLES CAN BE MANUALLY LIFTED INTO PLACE AND INSERTED INTO THE HOLE.
- ALIGN AND LEVEL THE POLE.
- BACKFILL THE HOLE, FILL AND TAMP EVERY 6 TO 8 INCHES OF BACKFILL, FREQUENT TAMPING IS IMPORTANT FOR INSTALLATION.

**SITE LIGHTING DETAIL**  
NOT TO SCALE

**Cree Edge™ Series**  
LED Area/Flood Luminaire

**Product Description**  
The Cree Edge™ Series has a slim, low profile design. Its rugged cast aluminum housing minimizes wind load requirements and features an integral, weatherlight LED driver compartment and high performance aluminum heat sink. Various mounting options: Adjustable Arm, Direct Arm, Direct Arm Long, or Side Arm (details on page 2). Includes a leaf-fabric guard.  
**Applications:** Parking lots, walkways, campuses, car dealerships, office complexes, and internal roadways.

**Performance Summary**

Patented MicroLED™ Product Technology
Made in the U.S.A. of U.S. and imported parts
CRB Minimum 75 CRI
CCT: 4000K (L/-300K), 5700K (L/-500K) standard
Limited Warranty*: 10 years on luminaires/10 years on Colorist DeltaGuard™ finish

**Accessories**

Form Factor:	Rectangular
Material:	Aluminum
Finish:	DeltaGuard™
Mounting:	Adjustable Arm, Direct Arm, Direct Arm Long, Side Arm
Options:	Leaf-fabric guard, Heat sink, Mounting hardware

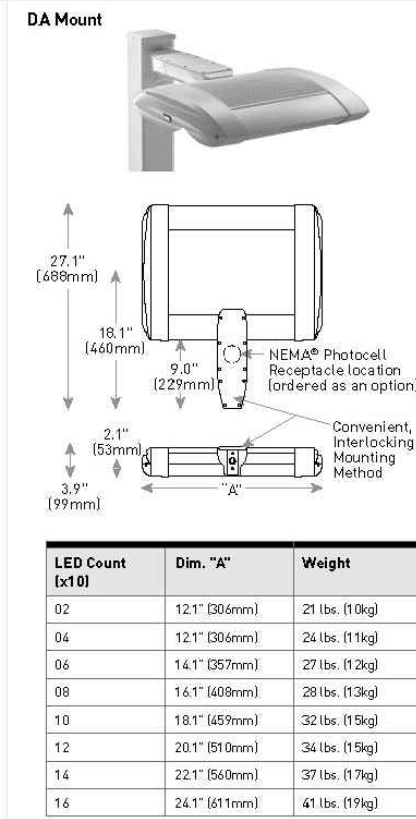
**Ordering Information**

Example: ABE-ED00-26-AA-12-E-UL-90-900

Product	Optic	Mounting	LED Count	Series	Voltage	Color	Beam	Options
ABE-ED00	26	AA	12	E	UL	90	90	DA, Programmable RGB, Leaf-fabric guard, Heat sink, Mounting hardware
ABE-ED00	26	AA	12	E	UL	90	90	DA, Programmable RGB, Leaf-fabric guard, Heat sink, Mounting hardware
ABE-ED00	26	AA	12	E	UL	90	90	DA, Programmable RGB, Leaf-fabric guard, Heat sink, Mounting hardware



USA: lighting.cree.com T 888 624-8800 F 262 234-5415



AA/DA/SA Mount - see page 22 for weight & dimensions

**Cree Edge™ LED Area/Flood Luminaire**

**Product Specifications**

**CONSTRUCTION & MATERIALS**  

- Slim, low profile, minimizing wind load requirements
- Luminaire body and rugged die-cast aluminum with integral, weatherlight LED driver compartment and high performance heat sink
- DA and DL mount utilizes concealed interlocking mounting method. Mounting is rugged die-cast aluminum, mounts to 2" (51mm) square or round pole and secures to pole with 5/16"-18 UNF bolts spaced on 2" (51mm) centers
- AA and SA mounts are rugged die-cast aluminum and mount to 2" (51mm) (P-2375-100mm) (UL) square
- Includes leaf-fabric guard
- Exclusive Colorist DeltaGuard™ finish features an E-Coat epoxy primer with an ultra-durable powder topcoat, providing excellent resistance to corrosion, ultraviolet degradation and abrasion. Black, bronze, silver, and white are available
- Weight: See Dimensions and Weight Charts on pages 1 and 22

**ELECTRICAL SYSTEM**

- Input Voltage:** 120-277V or 347-480V, 50/60Hz, Class 1 drivers
- Power Factor:** > 0.9 at full load
- Total Harmonic Distortion:** < 20% at full load
- DA and DL mounts designed with integral weatherlight electrical box with terminal strips (120V-208V) for easy power hookup
- Integrates 10kV surge-suppression protection standard
- When code dictates fusing, a slow-blow fuse or type C/D breaker should be used to address inrush current
- Maximum SW Source Current:** 20 LED (350mA), 20 LED (325 & 700mA) and 40-80 LED (0.15mA), 100-160 LED (0.30mA)

**REGULATORY & VOLUNTARY QUALIFICATIONS**

- UL Listed
- Suitable for wet locations
- Enclosure rated IP66 per IEC 60529 when ordered without P or R options
- Control factory for CE Certified products
- Certified to ANSI C136.31-2001, 20 surge and overvoltage vibration standards when ordered with AA, DA and DL mounts
- 10kV surge suppression protection tested in accordance with IEEE/ANSI C62.41.2
- Meets FCC Part 15, Subpart B, Class A standards for conducted and radiated emissions
- Luminaire and finish endurance tested to withstand 5,000 hours of elevated ambient salt fog conditions as defined in ASTM Standard B 117 (http://www.designlighting.com/learn/ for most current information)
- Meets Buy American requirements within AIAA.

**Electrical Data\***

LED Count (400)	System (120-480V)	Total Current (A)
300mA	120V	2.50
300mA	208V	1.21
300mA	277V	1.08
300mA	347V	0.87
300mA	480V	0.62

**Recommended Cree Edge™ Series Lumen Maintenance Factors (LMF)**

Ambient	50K hr LMF	100K hr LMF	200K hr LMF	500K hr LMF	1000K hr LMF
5°C (41°F)	1.04	1.01	0.99	0.96	0.94
15°C (59°F)	1.03	1.00	0.98	0.97	0.95
25°C (77°F)	1.02	0.99	0.97	0.96	0.94
35°C (95°F)	1.01	0.98	0.96	0.95	0.93
45°C (113°F)	1.00	0.97	0.95	0.94	0.92

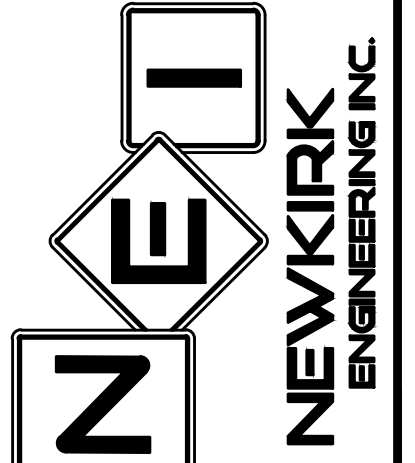


USA: lighting.cree.com T 888 624-8800 F 262 234-5415

**REVISIONS**

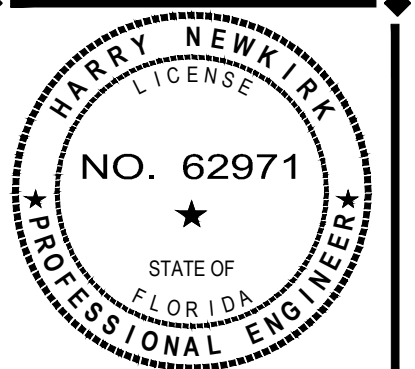
DATE	DESCRIPTION
9/9/20	CITY COMMENTS

1230 North US1, Suite 3  
Ormond Beach, Florida 32174  
Phone (386) 877-7794  
www.newkirk-engineering.com  
C.A. # 30209  
L.C. # 26000584  
C 2013  
Civil Engineering,  
Transportation, CEI &  
Landscape Architecture



PHOTOMETRIC DETAILS  
TYMBER CREEK APARTMENTS  
2011 W GRANADA BOULEVARD  
ORMOND BEACH, FL 32174

THIS DRAWING IS THE PROPERTY OF NEWKIRK ENGINEERING. ANY USE OR REPRODUCTION IN WHOLE OR PART IS PROHIBITED WITHOUT THE EXPRESSED WRITTEN CONSENT OF NEWKIRK ENGINEERING. COPYRIGHT 2013 ALL RIGHTS RESERVED.



HARRY H. NEWKIRK, P.E. # 62971

PROJECT No:	2020-06
DATE:	JUNE 2020
DESIGN BY:	HHN
DRAWN BY:	NWS
CHECKED BY:	HHN

SCALE: DRAWING NUMBER

60