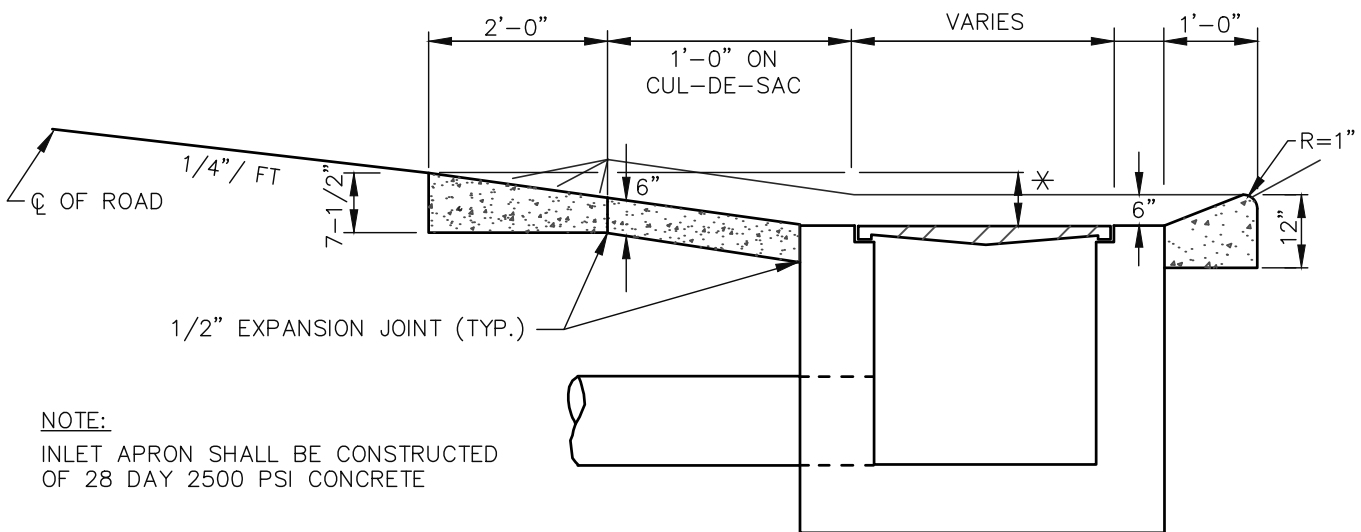


PLAN VIEW



**NOTE:**

INLET APRON SHALL BE CONSTRUCTED OF 28 DAY 2500 PSI CONCRETE

\* TOP OF INLET TO BE 3" MIN TO 6" MAX BELOW EDGE OF PAVEMENT

SECTION A-A



**STANDARD CONSTRUCTION DETAIL  
STORM INLET APRON**

NTS

INDEX

ST-3

MAY 2020